



Total Food-Service Solutions

Modular Cooking - Amicus 600

NGFT 4-60 AM

Gas Fry Top



*Due to routine technical improvement, the photograph shown may not represent the latest design of the products.

AVAILABLE MODEL

1. NGFT 4-60 AM

DESCRIPTION

Gas Fry Top consists of 1 gas burner with 6 kW power rate. The burner is atmospheric and equipped with thermostatic control with over-temperature safety Thermostat.

Unit to be installed on open cabinet or similar elements, cantilever, or solid block solutions. Featuring rear seamless fitting to Amicus family products and unique removable seamless front panel.

ITEM# : _____

MODEL# : _____

NAME : _____

SN : _____

MAIN FEATURE

- Gas system is equipped with flame failure device.
- 16 mm SS 420 griddle (Knife Steel).
- Option of grooved griddle.
- Option of mirror finish for cooking fish.
- Fully welded griddle plate for maximum hygiene.
- Griddle temperature is thermostat controlled from 50°C - 320°C.
- Obround drain and oil-collecting drawer provided.
- Piezo Ignition system with cover protection.

CONSTRUCTION

- All exterior panels in 304 type of Stainless Steel
- Orbital top surface anti-scratch finishing.
- Top with 1.2 mm surface.
- Side with 1.2mm pressed surface.
- Front with 0.8 mm pressed surface.
- Adjustable ± 30 mm leg.

INCLUDED ACCESSORIES

- G20 Conversion Kit

OPTIONAL ACCESSORIES

- N/A

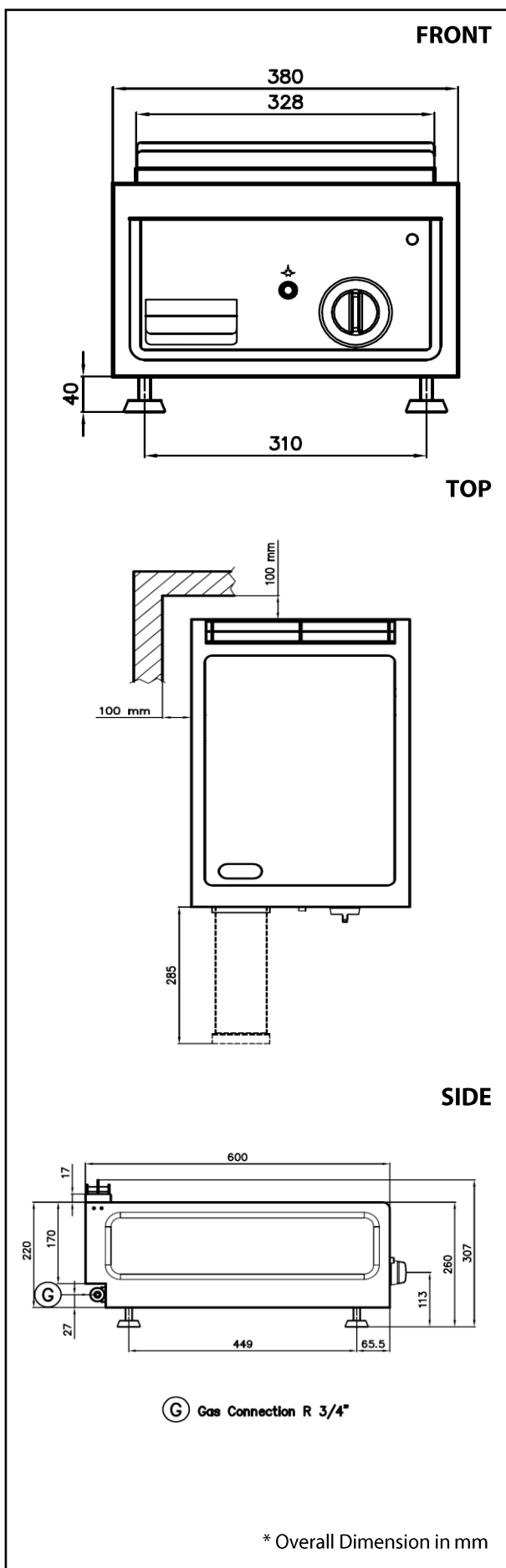
The company reserves the right to make modifications to the products without prior notice. All information correct at time of printing.

2017.11.09



Modular Cooking - Amicus 600
Gas Fry Top
NGFT 4-60 AM





Gas

Gas Power Rate	:	6 kW (5,160kCal/h)
Gas Type Option	:	G30/G31, G20
Gas Inlet	:	R 3/4"
Natural Gas Pressure	:	G20 : 20 mbar
LPG Gas Pressure	:	G30 : 28-30 mbar
		G31 : 37 mbar

KEY INFORMATION

Cooking surface width	:	330 mm
Cooking surface depth	:	480 mm
Direct heat emission	:	1.8 kW
Latent heat emission	:	2.4 kW
Steam emission	:	3.5 kg / h
Min. working temperature	:	120°C
Max. working temperature	:	320°C
Net weight	:	37.5kg
Shipping height	:	395 mm
Shipping width	:	450 mm
Shipping depth	:	700 mm
Shipping volume	:	0.124 m ³

* Overall Dimension in mm